

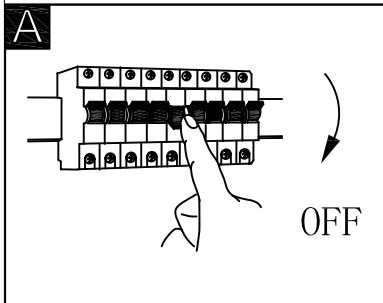
# GLOBO

LIGHTING

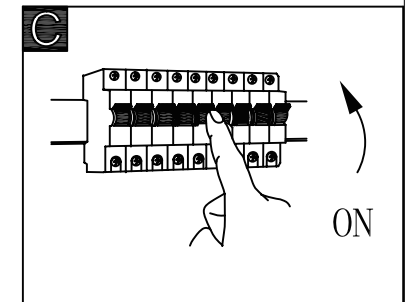
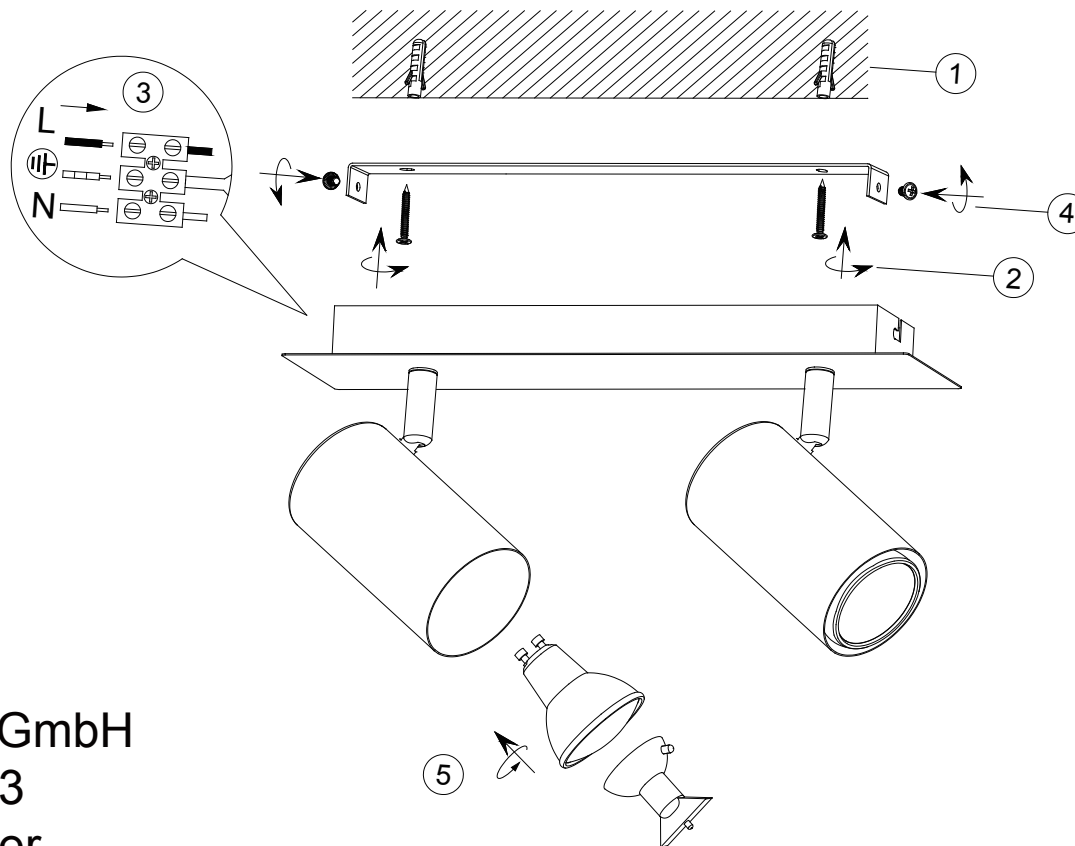
[www.globo-lighting.com](http://www.globo-lighting.com)

57910-2 57910-2B

57910-2G 57910-2W



**B**



GLOBO Handels GmbH  
Gewerbestr. 3  
A-9184 Sankt Peter  
AUSTRIA  
[www.globo-lighting.com](http://www.globo-lighting.com)